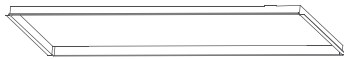
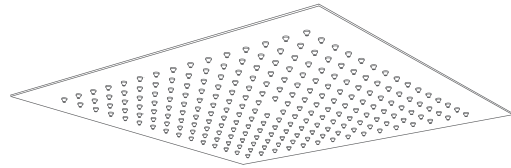
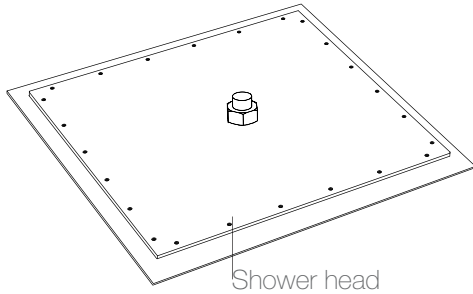


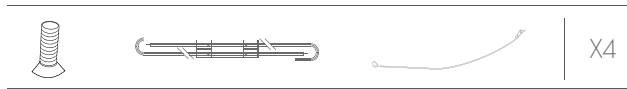
GEN/SQUARE
BUILT-IN
QUICK
GUIDE BOOK

Gen Description

Check all the parts with the following parts list



Bracket



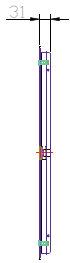
Bolt

Ring

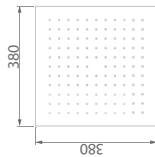
Wire

X4

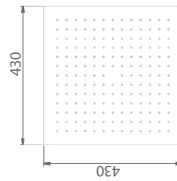
Dimension



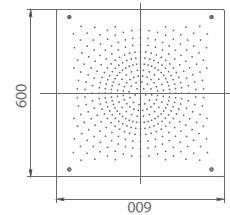
Bracket



SB380.002.CR



SB430.002.CR



SB600.002.CR

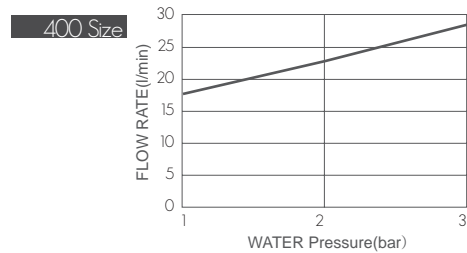
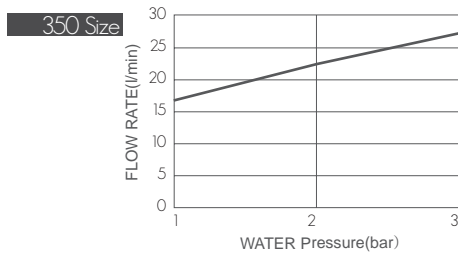
Gen&Square built-in

• Code	SB380.002.CR	SB430.002.CR	SB600.002.CR
• Size	380X380mm	430X430mm	600X600mm
• Finish	Cr painting		
• Orgin	JoeyforLife/Korea		

Flow Rate

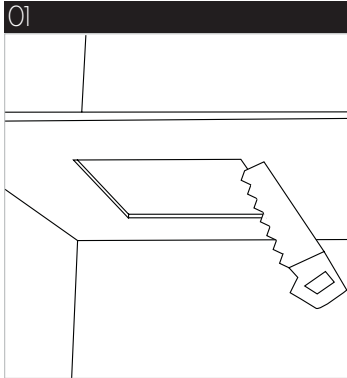
water pressure	350size	400size
1 bar	17.4	17.5
2 bar	22.5	22.9
3 bar	27	28.6

* Direct Connection Without tap



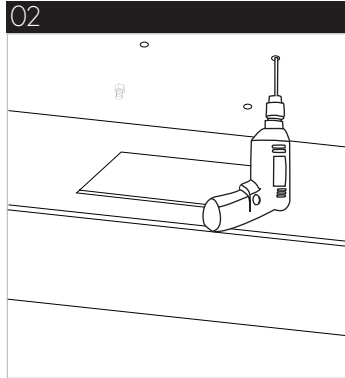
Installation

STEP1 _ Bracket



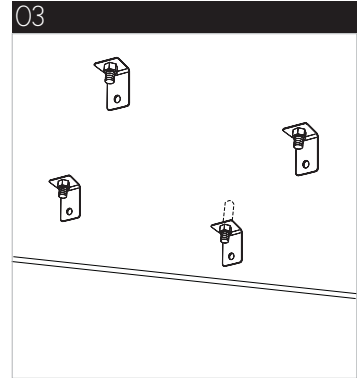
Cut the ceiling to install bracket.

- SB380.002.CR: 354
- SB430.002.CR: 404
- SB600.002.CR: 570

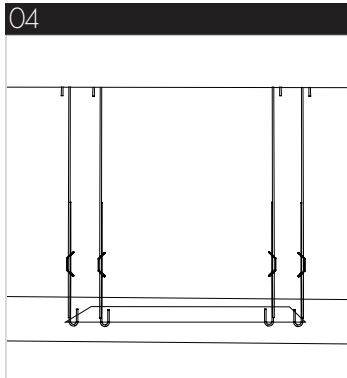


Drill the upper ceiling $\varnothing 12$ for an anchor bolts

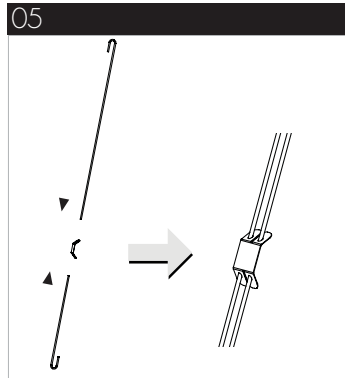
- SB380: 4holes for square(310X256mm)
- SB430: 360X305mm
- SB600: 470X468mm



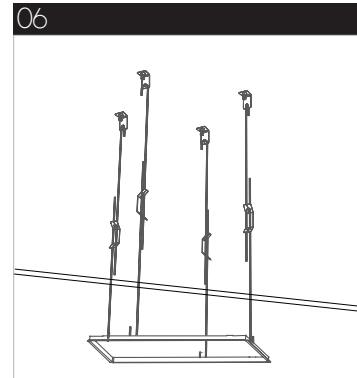
Insert the anchor bolts



Connect rings to the bolts



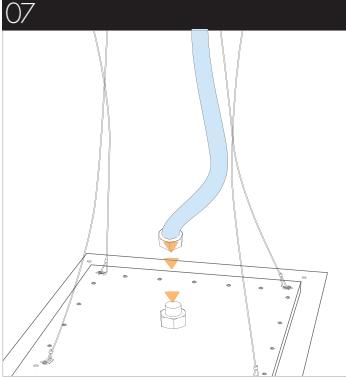
Adjust the lengths of rings



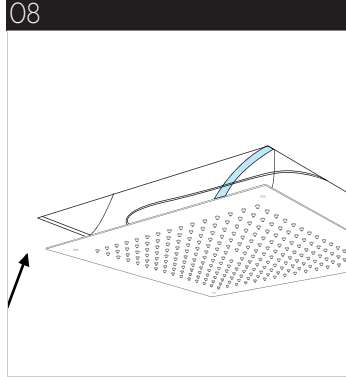
Hang the bracket to the rings

Installation2

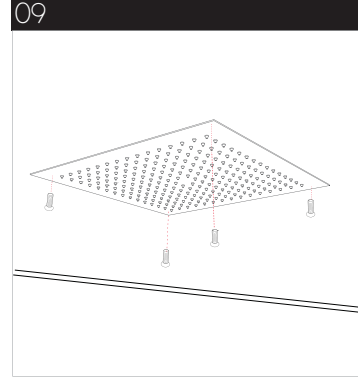
STEP2 _ Head Shower



Connect water supply hose to the shower head



Push the shower head to the bracket



Fix the shower head with bolt

Cautions

- Avoid too much force for operation.
- Keep the hand hold shower on the shower arm.
- The recommended water pressure is over $2\text{kg}^2/\text{cm}^2$
- Clean the products with right materials
- Do not dismantle the products without manual